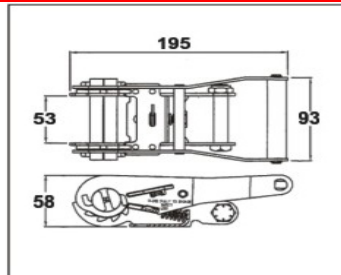
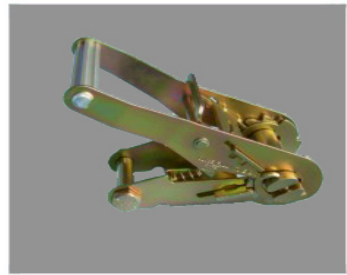
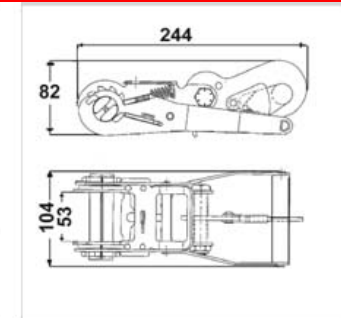


Adjustable Ratchet Buckles



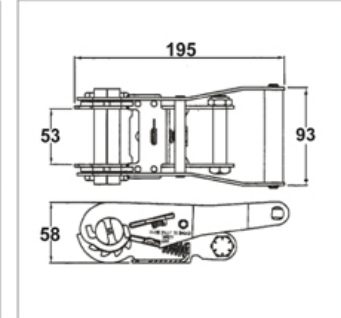
Part No.	022012
Material	Steel
Weight	1.056KG
Surface treatment	Yellow zinc plated
Breaking Load:	5000KG
2" RATCHET BUCKLE , ALUM. MIDDLE HANDLE	

Adjustable Ratchet Buckles



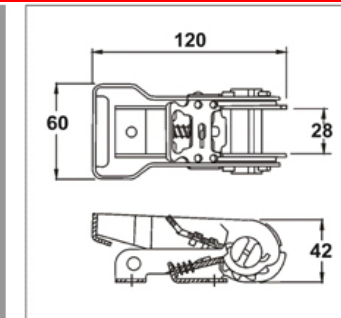
Part No.	022012HK
Material	Steel
Weight	1.156KG
Surface treatment	Yellow zinc plated
2" RATCHET BUCKLE , Hook	

Adjustable Ratchet Buckles



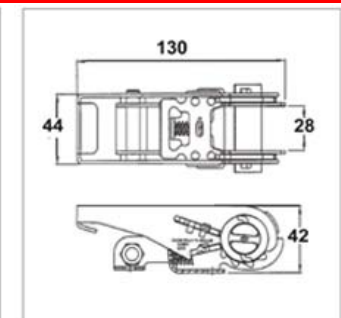
Part No.	022012-In
Material	Stainless steel
Weight	1.036KG
Surface treatment	Polished
Breaking Load:	4000KG
2" STAINLESS STEEL RATCHET BUCKLE .	

Adjustable Ratchet Buckles



Part No.	022015
Material	Steel
Weight	0.356KG
Surface treatment	Yellow zinc plated
1" HEAVY DUTY RATCHET BUCKLE , SQUARE HANDLE	
Breaking Load:	2000KG

Adjustable Ratchet Buckles



Part No.	022016
Material	Steel
Weight	0.356KG
Surface treatment	Yellow zinc plated
1" HEAVY DUTY RATCHET BUCKLE .	
Breaking Load:	2000KG

TEL:+86 21 56685622

FAX:+86 21 66519637

E-mail:truckbodyfittings@gmail.com

WEB:www.truckbodyfittings.com