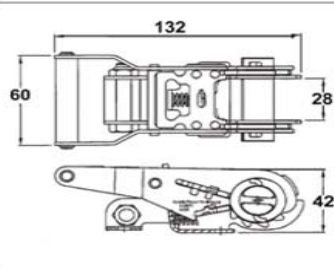
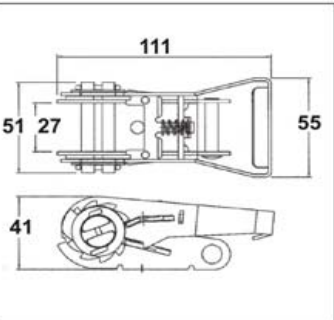


Adjustable Ratchet Buckles



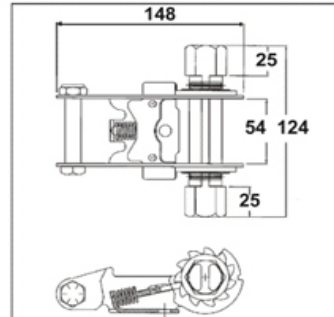
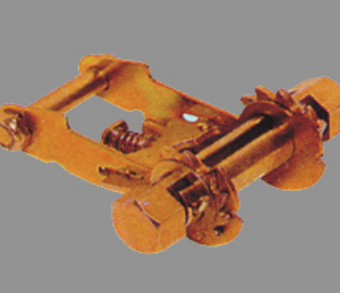
Part No.	022017
Material	Steel
Weight	0.386KG
Surface treatment	Yellow zinc plated
1"HEAVY DUTY RATCHET BUCKLE W/BAR HANDLE. CAP. 2000LGS	

Adjustable Ratchet Buckles



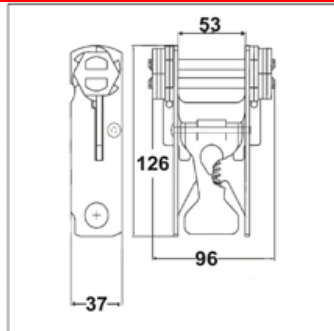
Part No.	022018
Material	Steel
Weight	0.356KG
Surface treatment	Yellow zinc plated
1"LIGHT DUTY RATCHET BUCKLE W/SQUARE HANDLE , 700KGS	

Adjustable Ratchet Buckles



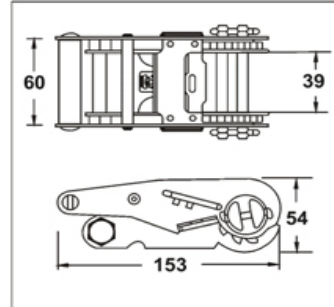
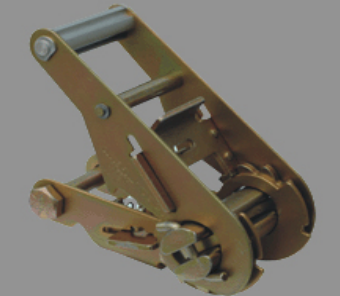
Part No.	022019
Material	Steel
Weight	0.65KG
Surface treatment	Painting
2"WRENCH-OPERATEK BUCKLE, CAP. 4545KGS	

Adjustable Ratchet Buckles



Part No.	022020
Material	Steel
Weight	1.056KG
Surface treatment	Painting
2"WRENCH BUCKLE, CAP. 3500KGS	

Adjustable Ratchet Buckles



Part No.	022021
Material	Steel
Weight	1.056KG
Surface treatment	Painted
1-1/2"RATCHET BUCKLE W/STANDARD HANDLE, CAP. 4000KGS	

TEL:+86 21 56685622

FAX:+86 21 66519637

E-mail:truckbodyfittings@gmail.com

WEB:www.truckbodyfittings.com