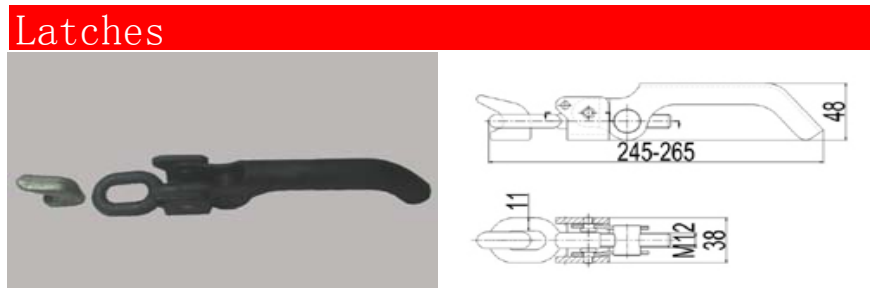
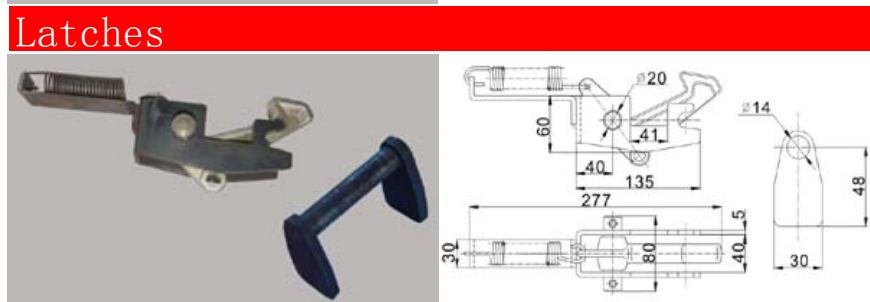


Part No.	028001R/028001L
Material:	Steel
Weight:	1.096KG/1.096KG
Surface treatment:	Zinc Plated



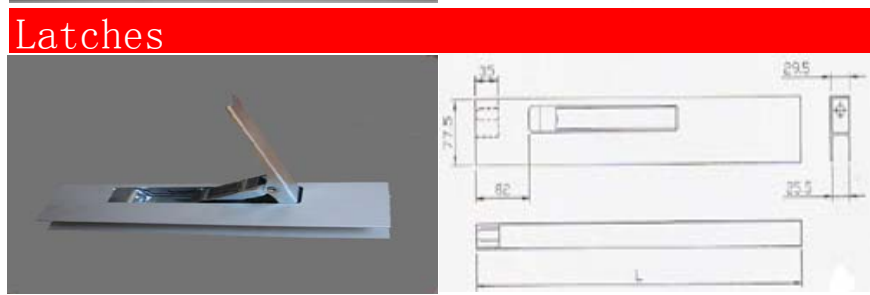
Part No.	028002
Material:	Steel
Weight:	0.592KG
Surface treatment:	Zinc Plated



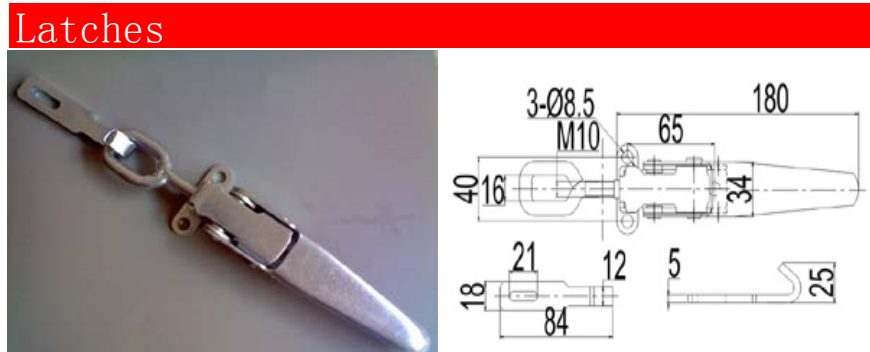
Part No.	028003
Material:	Steel
Weight:	1.775KG
Surface treatment:	Black coating



Part No.	028004/028004P
Material:	Steel
Weight:	0.85KG
Surface treatment:	Zinc Plated



Part No	L	Weight	Material
028005A	400mm	1.22KG	
028005B	600mm	1.47KG	Aluminium
028005C	800mm	1.75KG	alloy/Steel
028005D	1000mm	2.75KG	
Surface treatment	Anodized/Zinc		



Part No.	028006/028006-In
Material:	Steel/Stainless steel
Weight:	0.445KG/0.435KG
Surface treatment:	ZincPlated/Polished