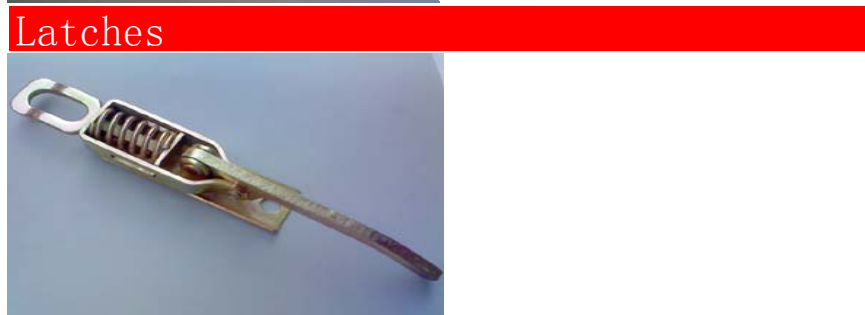
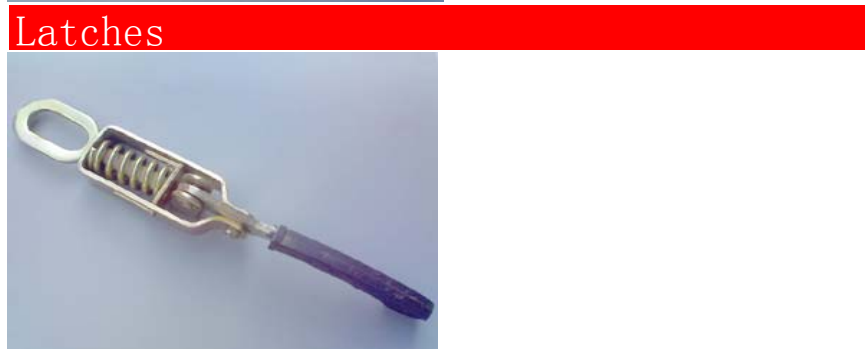


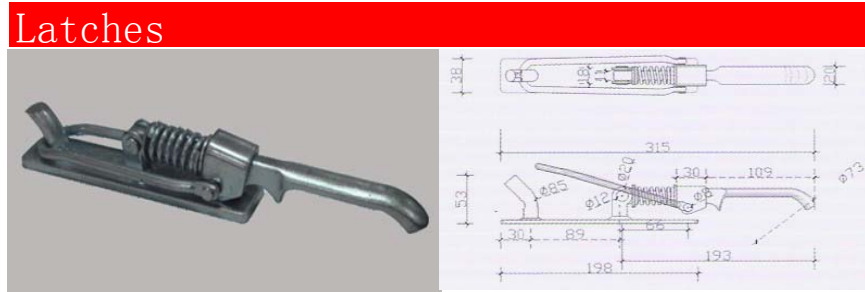
Part No. 028007  
 Material: Steel  
 Weight: 0.36KG  
 Surface treatment: Zinc Plated



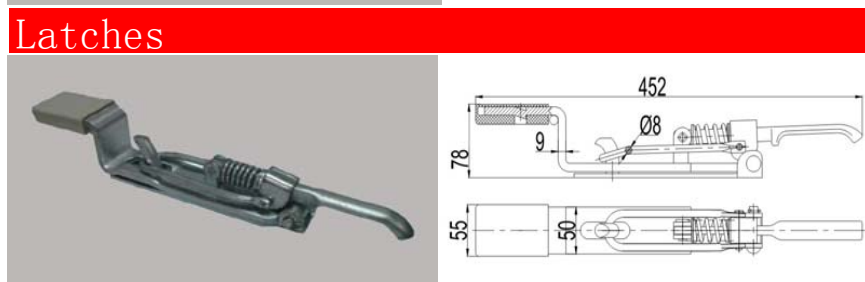
Part No. 028008  
 Material: Steel/Stainless steel  
 Weight: 0.326KG/0.316KG  
 Surface treatment: ZincPlated/Polished



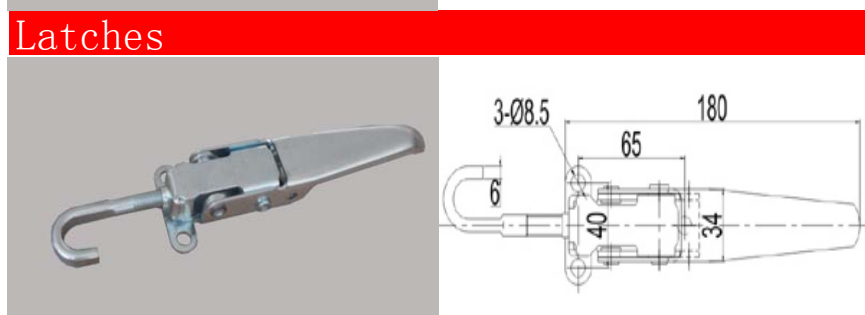
Part No. 028009  
 Material: Steel/Stainless steel  
 Weight: 0.336KG/0.366KG  
 Surface treatment: ZincPlated/Polished



Part No. 028011  
 Material: Steel  
 Weight: 1.133KG  
 Surface treatment: Zinc Plated



Part No. 028012  
 Material: Steel  
 Weight: 2.425KG  
 Surface treatment: Zinc Plated



Part No. 028013  
 Material: Steel  
 Weight: 0.416KG  
 Surface treatment: Zinc Plated