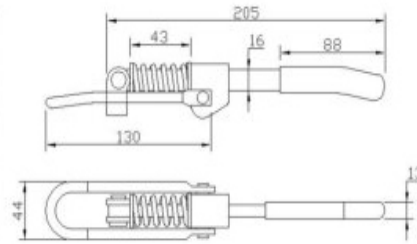
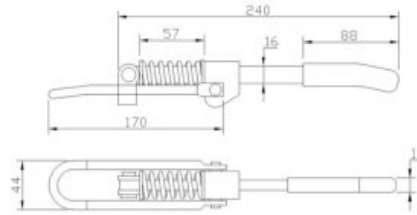


## Latches



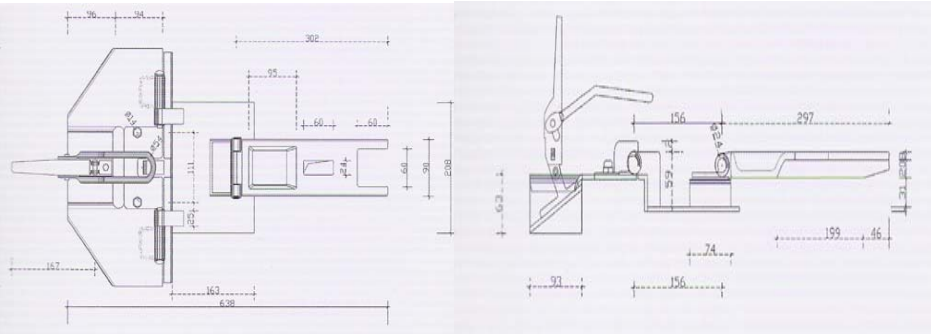
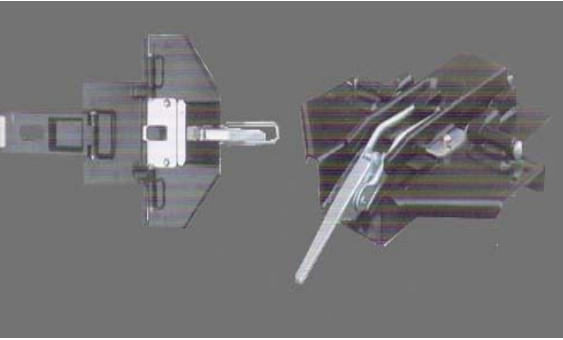
Part No.	028014-In
Material:	Stainless Steel
Weight:	0.543KG
Surface treatment:	Polished

## Latches



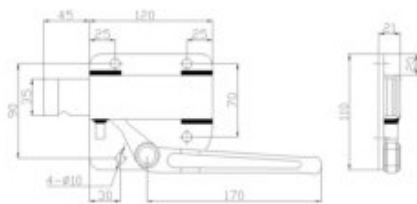
Part No.	028014B-In
Material:	Stainless steel
Weight:	0.612KG
Surface treatment:	Polished

## Latches



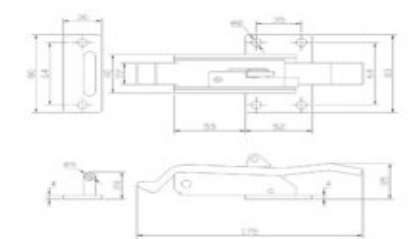
Part No.	028015
Material:	Steel
Weight:	11.216KG
Surface treatment:	Painted

## Latches



Part No.	028016L/028016R
Material:	Steel
Weight:	1.504KG/1.504KG
Surface treatment:	Zinc Plated
For use with the Pin 180° opening	

## Latches



Part No.	028017L/028017R
Material:	Steel
Weight:	0.734KG/0.734KG
Surface treatment:	Zinc Plated
For use with the Pin 180° opening	

TEL: +86 21 56685622

FAX: +86 21 66519637

E-mail: truckbodyfittings@gmail.com

WEB: www.truckbodyfittings.com