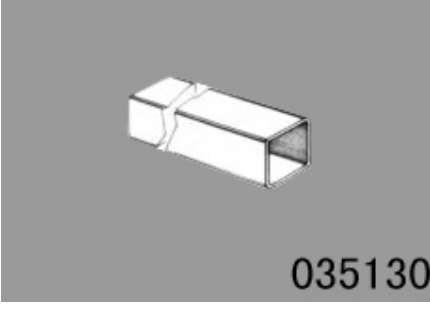
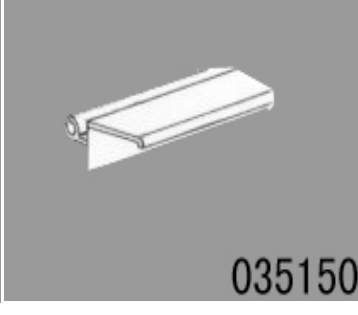
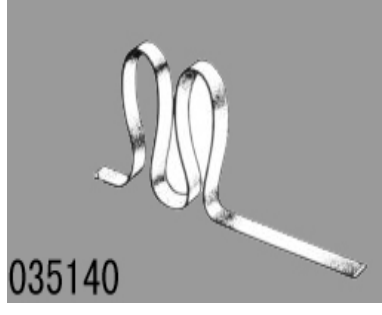
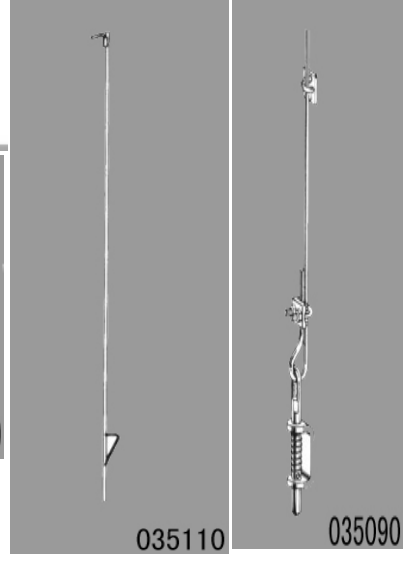
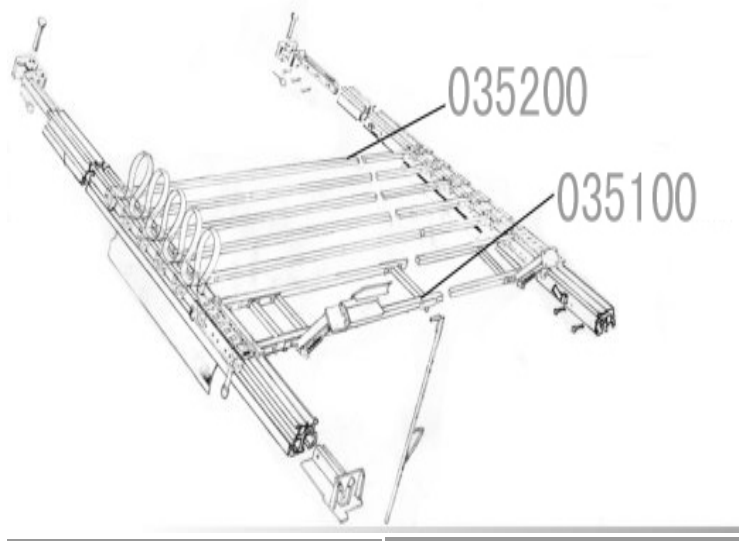
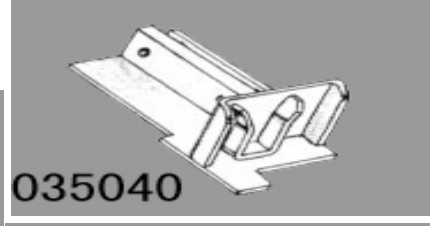
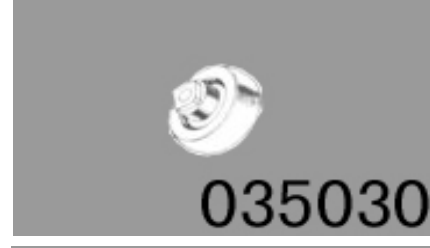
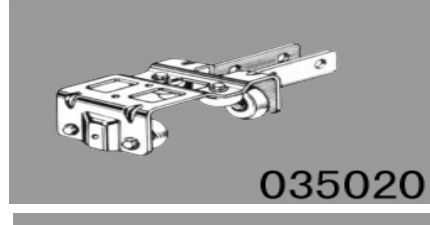
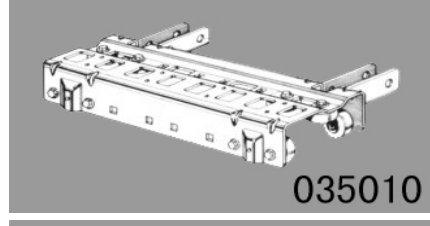
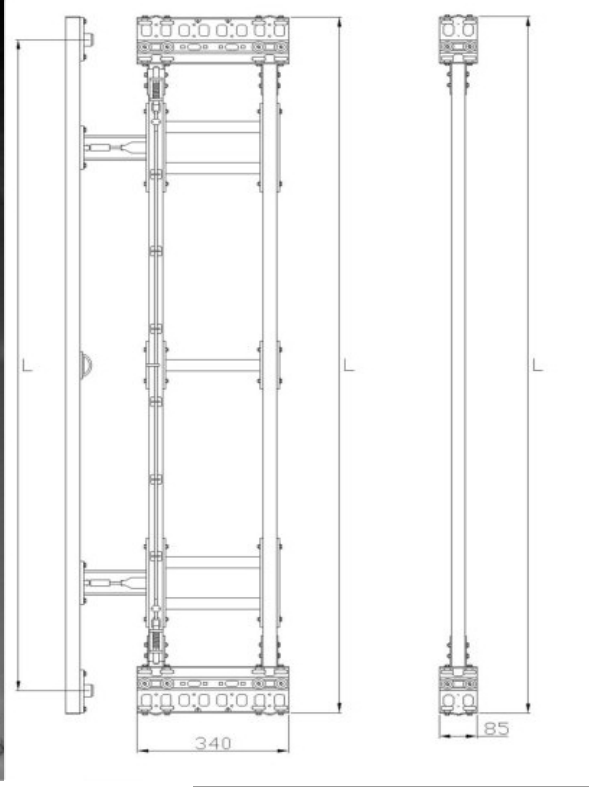
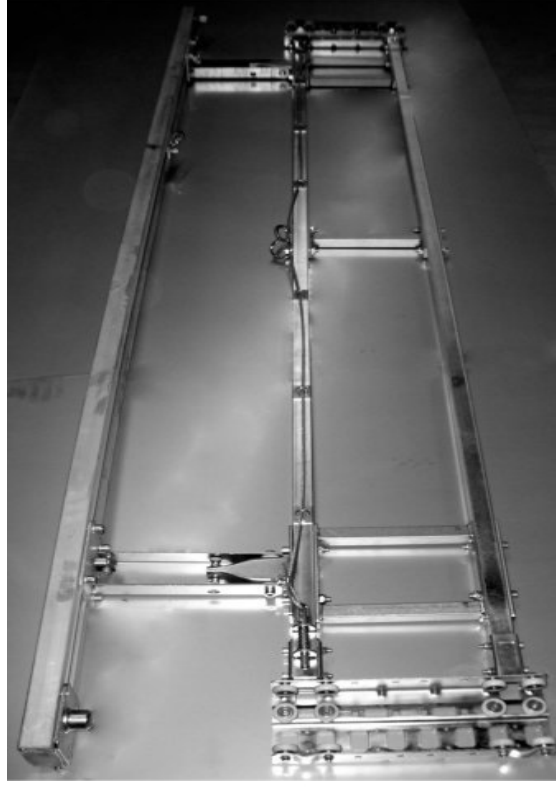




Top Walking Beam For Vans



Material: Steel/Aluminium alloy
Surface treatment: Zinc plated/Oxide coating