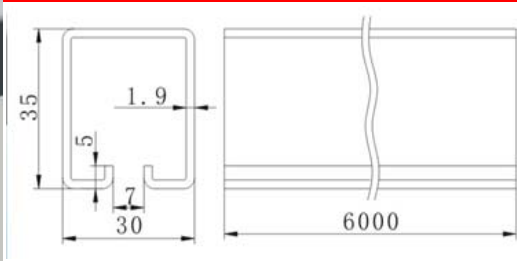
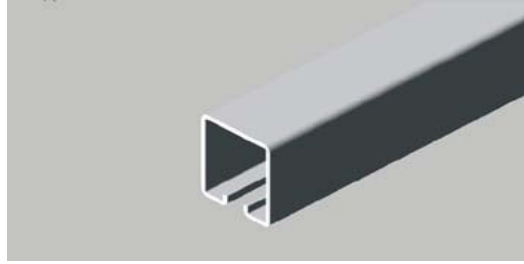


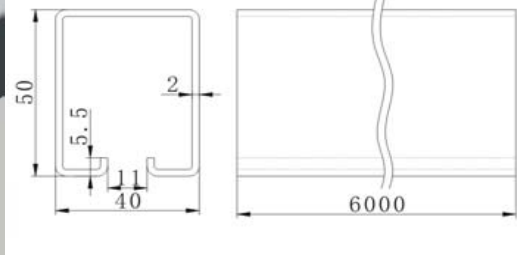
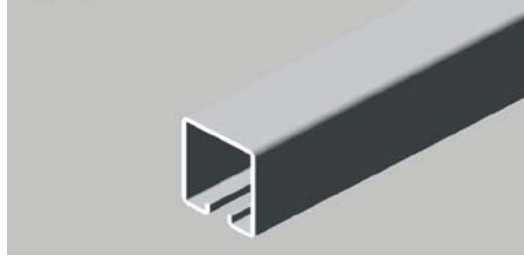


Rail For Vans



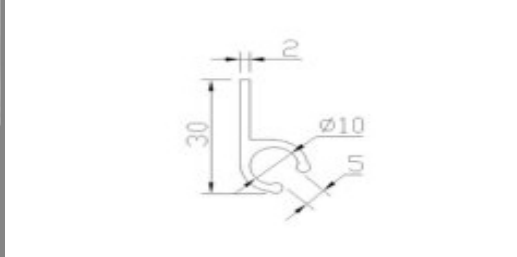
Part No:	039001
Material:	Steel
Weight:	1.5KG
Surface treatment:	Zinc plated

Rail For Vans



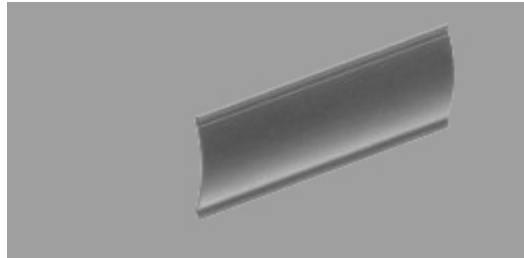
Part No:	039002
Material:	Steel
Weight:	2.5KG
Surface treatment:	Zinc plated

Parts For Vans



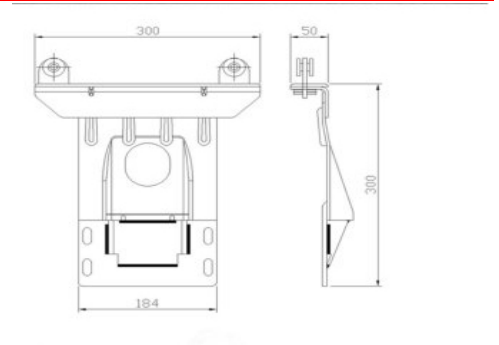
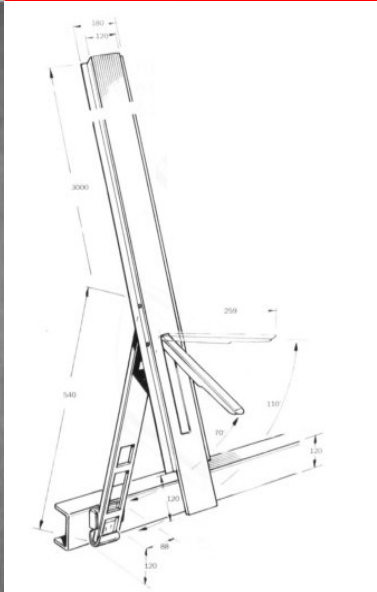
Part No:	039003
Material:	Aluminium alloy
Weight:	0.3KG/M
Surface treatment:	Oxide coating

Parts For Vans



Part No:	039004
Material:	Rubber
Weight:	0.72KG/M

Parts For Vans



Part No:	039005/039006
Material:	Steel
Weight:	25KG/3KG
Surface treatment:	Cataphoric