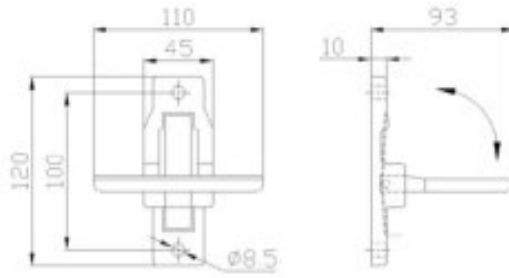
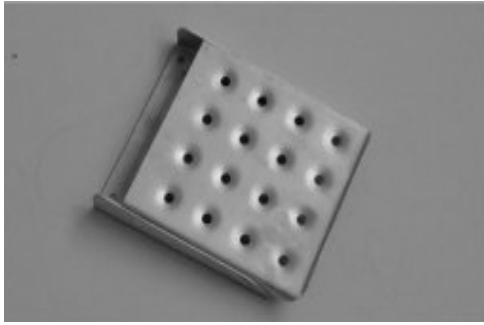


Folding Steps



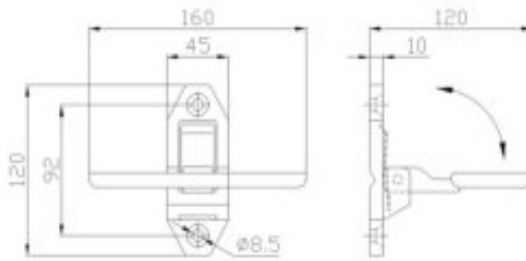
Part No. : 115001/115001-In  
 Material: Steel/stainless steel  
 Weight: 0.485KG  
 Surface treatment: Zinc plated/  
 Polished

Folding Steps



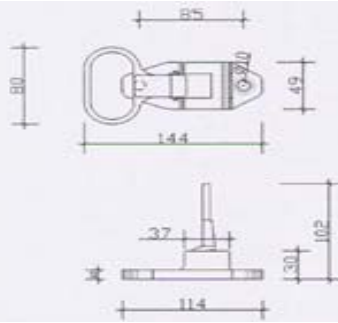
Part No. : 115002  
 Material: Steel  
 Weight: 1.36KG  
 Surface treatment: Zinc plated

Folding Steps



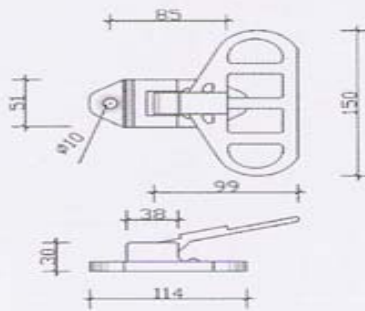
Part No. : 115003  
 Material: Steel  
 Weight: 0.77KG  
 Surface treatment: Zinc plated

Folding Steps



Part No. : 115004/115004-In  
 Material: Steel/stainless steel  
 Weight: 0.685KG  
 Surface treatment: Zinc plated/  
 Polished

Folding Steps



Part No. : 115005/115005-In  
 Material: Steel/stainless steel  
 Weight: 0.85KG  
 Surface treatment: Zinc plated/  
 Polished

TEL: +86 21 56685622

FAX: +86 21 66519637

E-mail: truckbodyfittings@gmail.com

WEB: www.truckbodyfittings.com