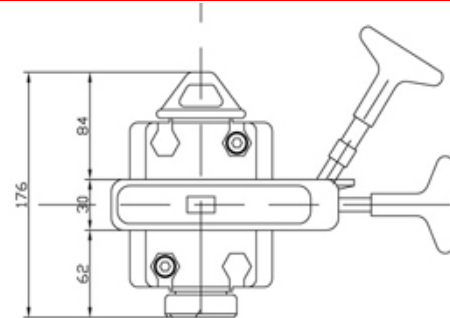
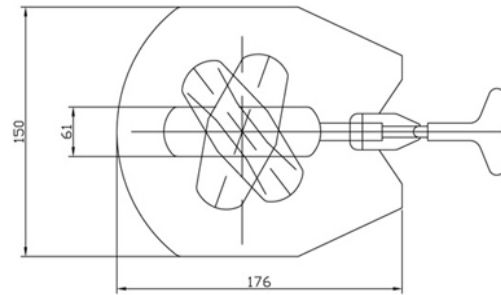




Semi Auto Twistlock Large Seat (photo:122230)

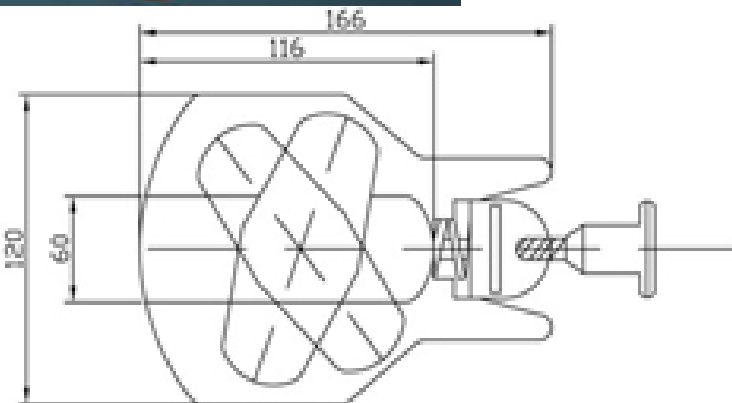
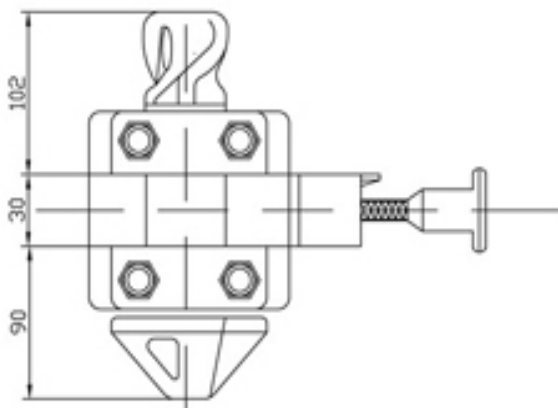


Item No	Part Name	Weight	Material	Surface Treatment	S. W. L	M. B. L
122230	Manual Twistlock	7.2KG	40Cr	Hot Dip Galvaniz	250KN	500KN

Semi Auto Twistlock Single Wire (photo:122240)



**MATERIAL:**  
 Housing: 20SiMn  
 shaft cone: 40Cr  
 wire: stainless steel



Item No	Part Name	Weight	Material	Surface Treatment	S. W. L	M. B. L
122240	Manual Twistlock	6.25KG		Hot Dip Galvaniz	250KN	500KN